
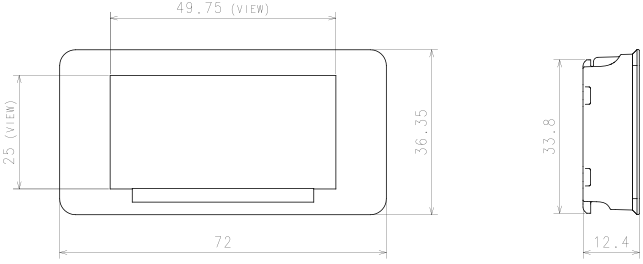


Freezer Label 2.2” (BW)

PRODUCT ▶ ESL ▶ FREEZER LABEL 2.2”

EXEMPLARY PICTURE	MECHANICAL DRAWINGS
	

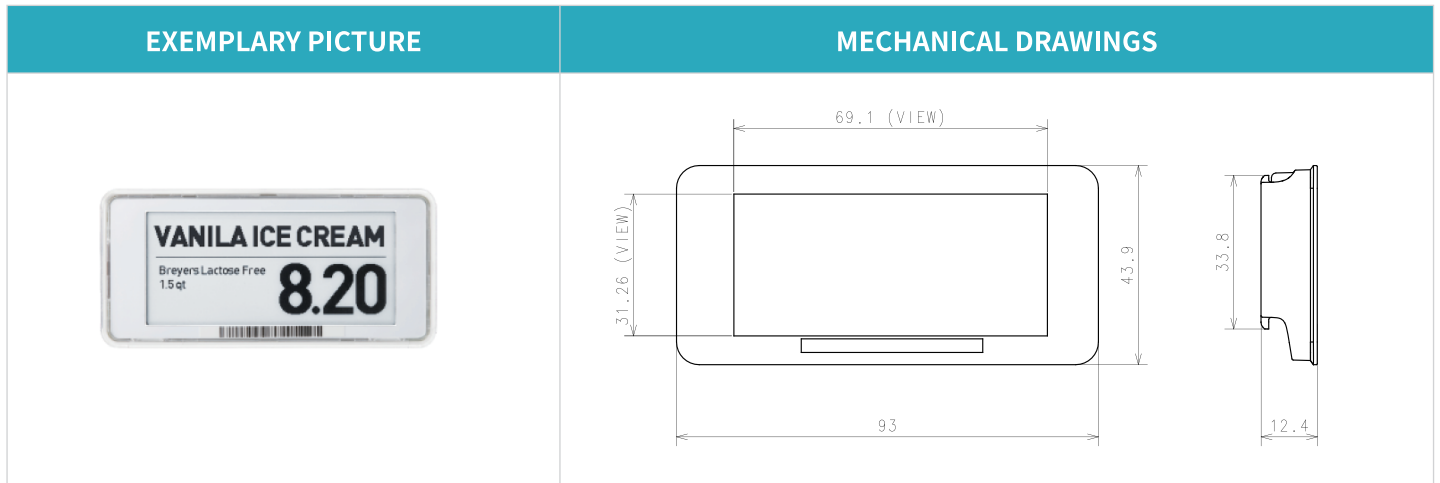
TECHNICAL DETAILS

Parameter	Unit	Specifications
Outer Dimension	mm	64.40 x 36.20 x 11.65
Cover frame	-	White
Display Technology	-	Full graphic E-Ink Display
Active Display Area	mm	48.55 x 23.80
Display Resolution	Pixel	111 dpi
Display Color	-	B/W
Battery	-	CR2450 * 2EA
Battery Lifetime	Year	1.5 Years
Communication Protocol	-	IEEE802.15.4, 2.4GHz
Operating Temperature	-	-23 ~ 0 °C
Update Speed	-	10,000 Labels/Hour
Multi-page	-	1 page
Freezer	-	Yes



Freezer Label 2.9” (BW)

PRODUCT ▶ ESL ▶ FREEZER LABEL 2.9”



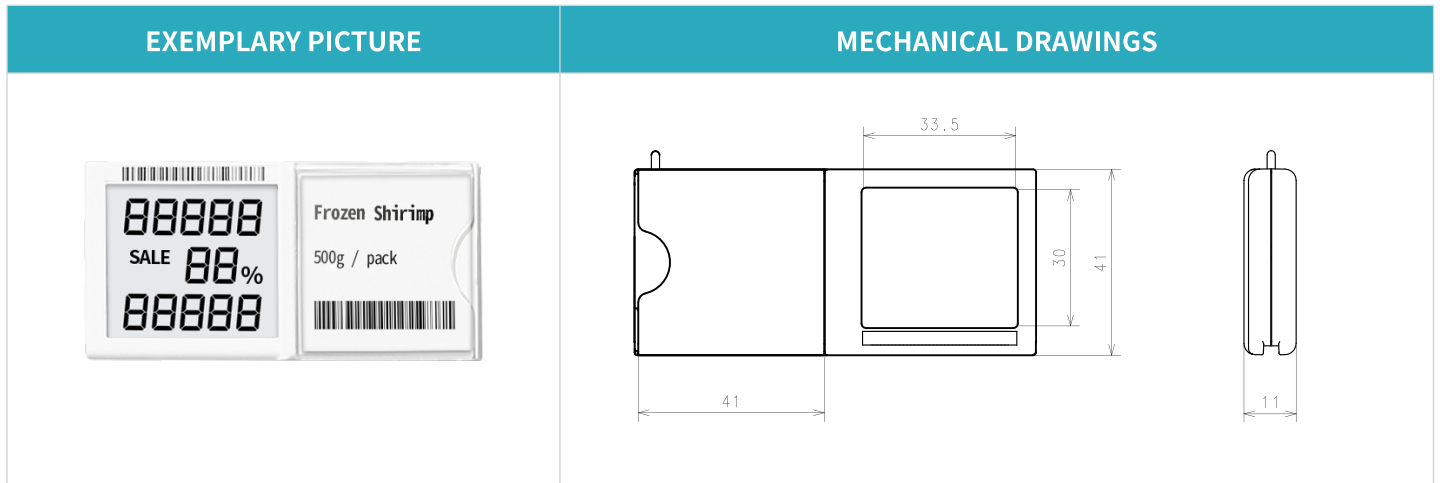
TECHNICAL DETAILS

Parameter	Unit	Specifications
Outer Dimension	mm	84.22 x 41.12 x 11.83
Cover frame	-	White
Display Technology	-	Full graphic E-Ink Display
Active Display Area	mm	66.90 x 29.06
Display Resolution	Pixel	112 dpi
Display Color	-	B/W
Battery	-	CR2450 * 2EA
Battery Lifetime	Year	1.5 Years
Communication Protocol	-	IEEE802.15.4, 2.4GHz
Operating Temperature	-	-23 ~ 0°C
Update Speed	-	10,000 Labels/Hour
Multi-page	-	1 page
Freezer	-	Yes



Segment Freezer Label Medium

PRODUCT ▶ ESL ▶ SEGMENT FREEZER LABEL MEDIUM



TECHNICAL DETAILS

Parameter	Unit	Specifications
Outer Dimension	mm	88.5 x 41 x 11.5
Cover frame	-	White
Display Technology	-	Segment type E-paper display
Active Display Area	mm	33.5 x 30
Number of Segments	Pin	96
Display Color	-	B/W
Pocket Size	mm	40 x 40
Battery	Year	CR2450 * 3EA
Battery Lifetime	-	3 Years
Communication Protocol	-	IEEE802.15.4, 2.4GHz
Operating Temperature	-	-23 ~ 0 °C
Update Speed	-	20,000 Labels/Hour
Layout	-	Yes
Multi-page		1 page
Freezer		Yes

SOLU M